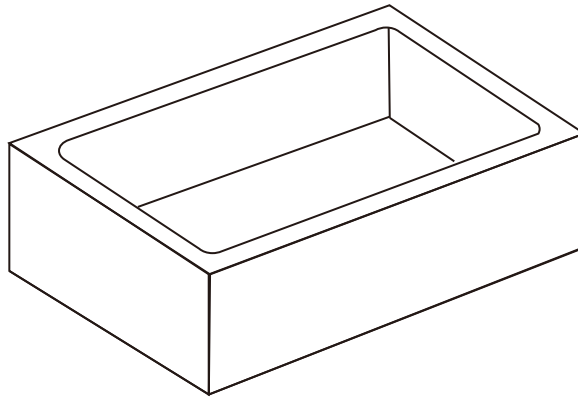
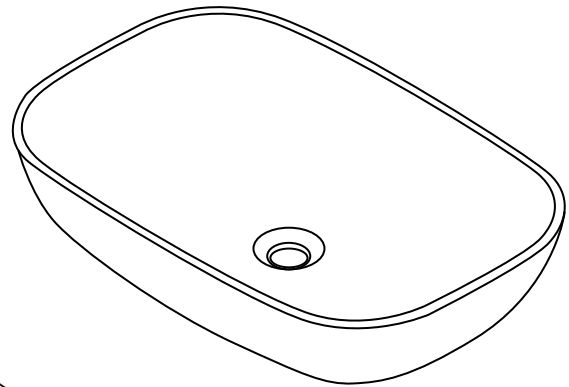
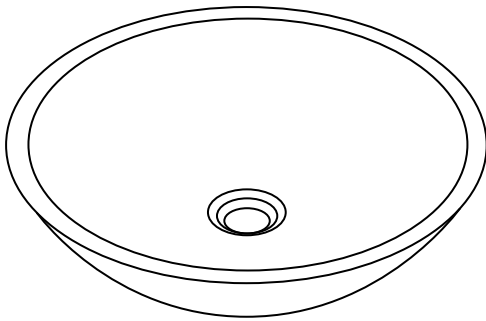


ANZZI®

ITEM: VESSEL SINK

ANZZI VESSEL SINK
INSTALL & OPERATION MANUAL
V1.0



**DON'T WAIT!
REGISTER NOW!**

Register your product within 90 days to ensure your product is recognized as an official purchase and is eligible for warranty coverage.

Mail in the completed registry card (Pg. 2) or register online at www.swcorp.com/register.



PRODUCT REGISTRATION*

IMPORTANT: YOUR WARRANTY WILL NOT BE RECOGNIZED UNLESS THIS CARD IS FULLY COMPLETED AND RETURNED OR ONLINE REGISTRATION IS COMPLETED.

To ensure that your warranty is registered and confirmed please do one of the following:

1. **Register online at www.swcorp.com/register.** You will be asked to fill out the same information you would in the registration card. Registering online is fast, secure and ensures we receive your information.

2. **Complete, cut-out and mail the registration card below.** By returning this registration card we confirm the date of purchase for your new product. This confirmation will allow us to process any warranty claims.

Mail the card to: 5701 NW 35 Avenue, Miami, FL 33142



Product Registration Card

Name Address

City State Zip

Phone Email.....

Date of Purchase.....

Installer's Name Phone

I have read the Owner's Manual carefully and understand and agree that any installation, operation or maintenance of the product must be done strictly in accordance with instructions and guidelines contained in the owner's manual and installation guide.

Signature _____ Date _____

VESSEL SINK

INSTALLATION INSTRUCTIONS

Before installing, read entire Vessel Sink Installation Instructions. Observe all local building and safety codes.

We recommend consulting a professional if you are unfamiliar with this type of installation. ANZZI accepts no liability for any damages to the floor, walls, plumbing or for personal injury during installation.

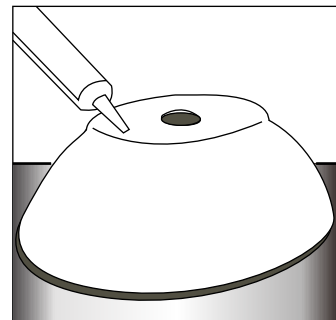
Please inspect the unit immediately when received and report any damages right away to ANZZI's customer service center at 305-614-4070.

TOOLS AND MATERIALS:

Damp Cloth
Silicone Sealant (for copper sinks, use Neutral Cure Silicone Sealant)
Thread Sealant
Basin Wrench

INSTALLATION

1. Carefully place the sink upside down on the counter with a towel or other soft cloth beneath to prevent damage. Apply a continuous bead of silicone to the base of the sink where it will rest on the counter.
2. Turn the sink right-side-up and position it back over the 2" drain hole.
3. Remove any excess silicone with a damp cloth. Let the silicone dry for 24 hours. If a lavatory drain is included, move on to the **Drain Installation** section.



DRAIN INSTALLATION

1. Disassemble the drain by removing the threaded tail piece, rubber sealing gaskets, friction washer and lock nut from the drain body.
2. Place thread sealant on the threaded section of the tail piece and reattach to the drain body. Slide the flat rubber sealing gasket up the tail piece to the top of the drain body. This gasket will create a water tight seal between the drain flange and sink.
3. Place the drain in the drain hole in the sink. On the underside of the counter, attach the tapered rubber gasket. With the flat side facing down, slide the gasket up the threaded shank until it makes contact with the bottom of the sink.
4. Slide the friction washer up to meet the rubber gasket. Thread the lock nut onto the threaded shank. Hand-tighten and make sure that the drain is properly aligned. When ready, finish tightening with a basin wrench to secure the drain.

Thank you for choosing ANZZI® and enjoy your lovely new bath sink. We want to hear about your experience with us! Please visit www.ANZZI.com and leave us a review. It will only take 5 minutes and we'd love to hear from you.